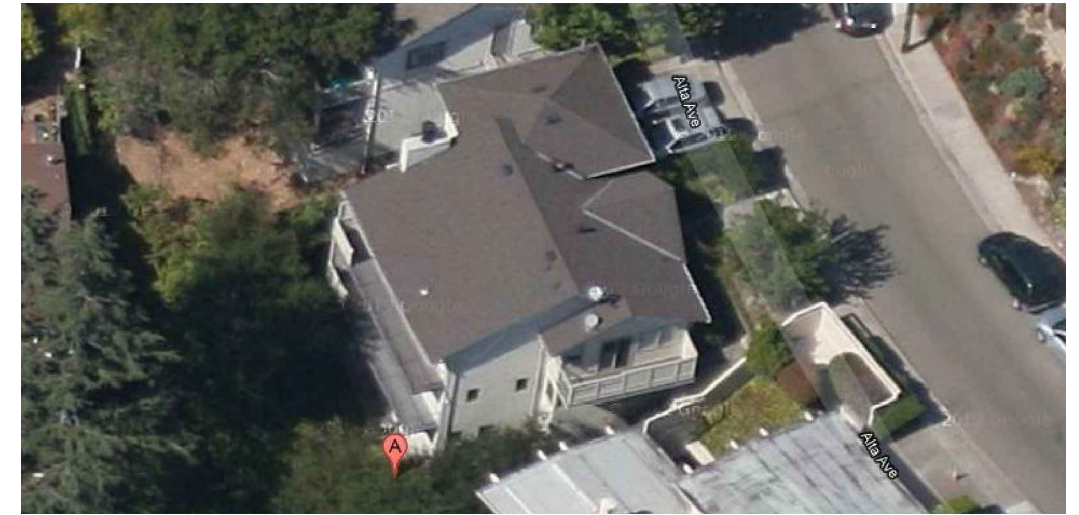


Legend:

- (E) Existing
- (N) New
- PL Property Line

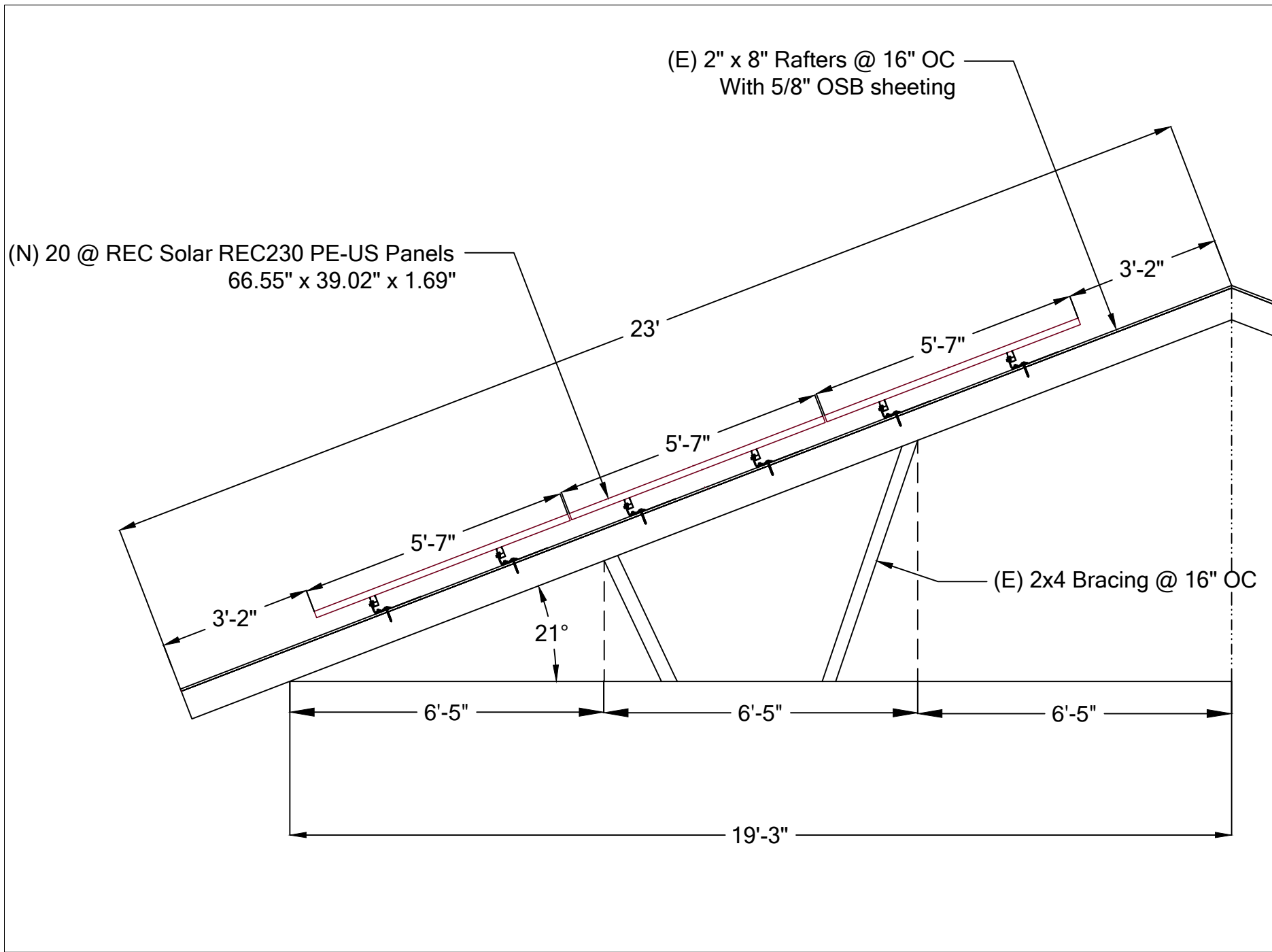


General Project Description:

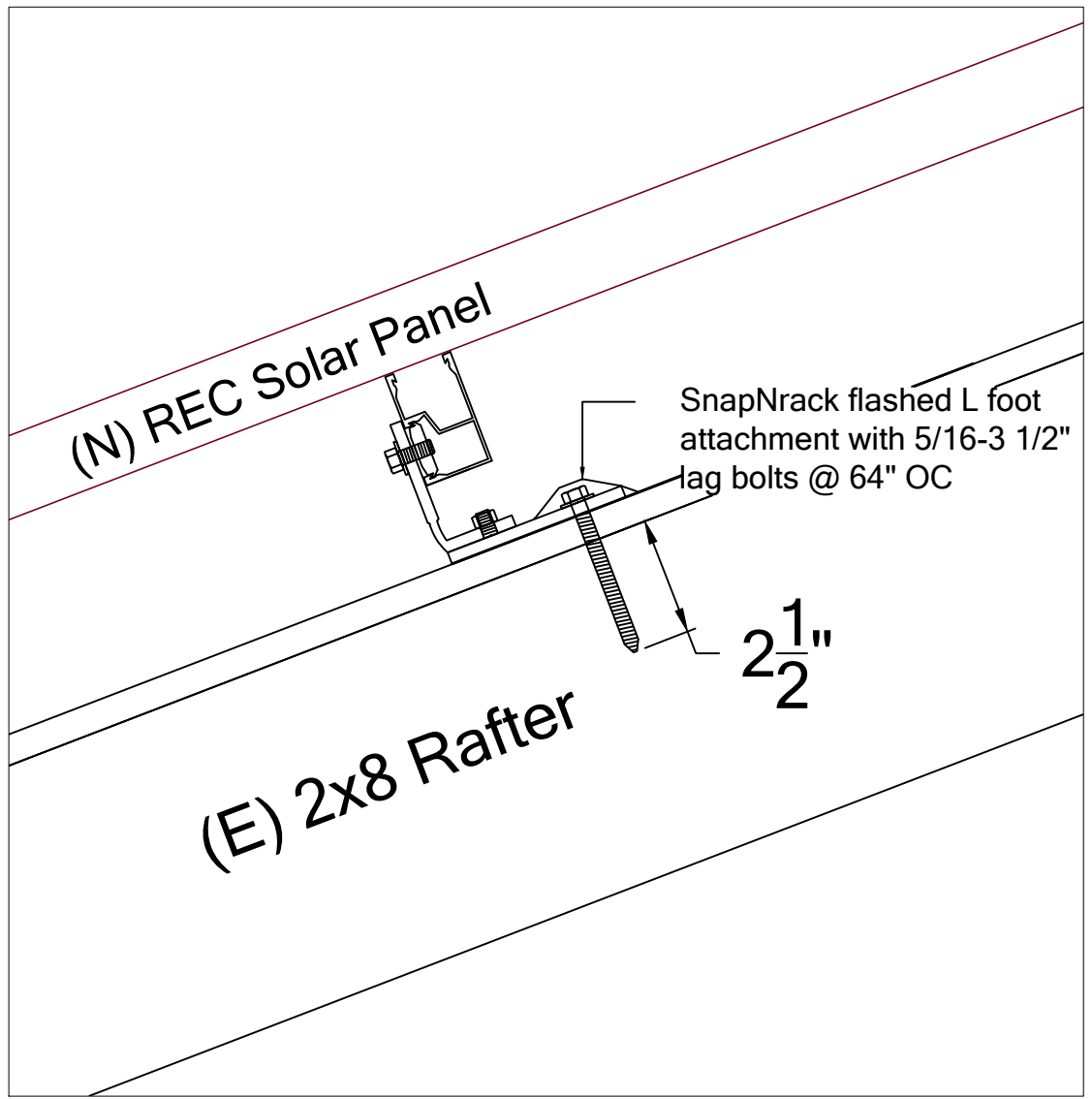
1. The system is 4.600 kW STC
2. Modules: 20 @ REC Solar REC230PE-US 230 Watt Panels
3. Inverter: KACO Blueplanet 5002x (240V)
4. No Batteries or UPS
5. Composition shingle roof @ 21° pitch
6. 2 story house
7. 2" x 8" Rafters at 16" OC with 5/8" OSB sheathing
8. 5/16 x 3.5" lag bolts @ 64"
9. Standard components include: racking and mounting components, wiring, conduit, over-current protection, roofing sealant, flashings, as needed
10. All electrical equipment will be labeled with warning labels (see page 4)
11. All outdoor wiring will be weather rated
12. All module frames, equipment and conductor enclosures will be grounded
13. The system is grounded using the WEEB grounding system
14. System and racking built to 2010 CBC/CRC

Site Plan			
Contractor:	Sun Solar	Jokeland, CA 94600 510-282-0840 CA Lic#888888	
Customer:	Dear Customer	25 Milky Way Jokeland, CA 94600 510-000-0000	
Date: 12/06/12	Drafter: Gyuri K	Scale: 3/32" = 1'	Sheet 1 of 4

DISCLAIMER: If any Errors, Discrepancies or Omissions appear in these drawings, specifications or other contract documents; The Owner or General Contractor shall notify the Designer, in writing, of such error or omission. In the event that the Owner or General Contractor fails to give such notice, before construction and/or fabrication of the work, the Owner or General Contractor will be held responsible to the result of any errors, discrepancies or omissions and the cost of rectifying them.



Roof Section Scale 3/8" = 1"

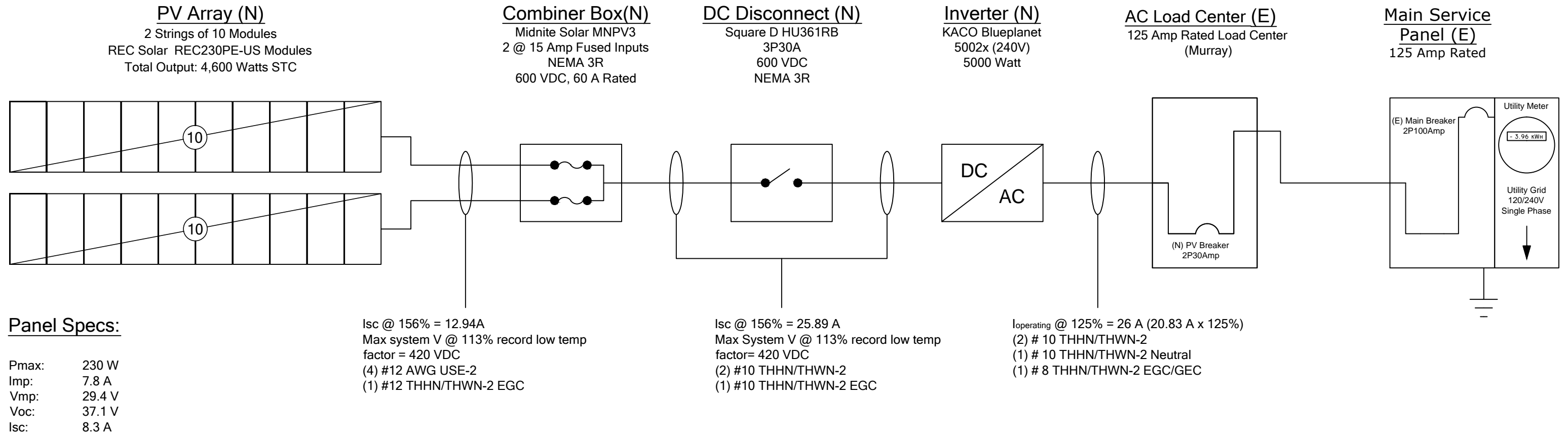


Attachment Detail Scale 3" = 1'

Legend:
 (E) Existing
 (N) New

DISCLAIMER: If any Errors, Discrepancies or Omissions appear in these drawings, specifications or other contract documents; The Owner or General Contractor shall notify the Designer, in writing, of such error or omission. In the event that the Owner or General Contractor falls to give such notice, before construction and/or fabrication of the work, the Owner or General Contractor will be held responsible to the result of any errors, discrepancies or omissions and the cost of rectifying them.

Structural Drawings			
Contractor:	Sun Solar	Jokeland, CA 94600 510-282-0840 CA Lic#888888	
Customer:	Dear Customer	25 Milky Way Jokeland, CA 94600 510-000-0000	
Date: 12/06/12	Drafter: Gyuri K	Scale:	Sheet 2 of 4



Single Line Notes:

1. The Inverter grounding electrode conductor is connected directly to the building grounding electrode or irreversibly connected to the building GEC.
2. All wire sizes are as indicated or larger.
3. Wire sizes meet the criteria of 125% continuous use factor.
4. All equipment is bonded by mechanical means or by a grounding conductor.
5. All modules are grounded mechanically using WEEBS.
6. The system is grounded at the neutral buss in the main electrical panel.
7. The system is grid - intertie only, has no batteries or UPS.

Legend:

(E) Existing
(N) New

1 -Line Drawing

Contractor:	Sun Solar	Jokeland, CA 94600 510-282-0840 CA Lic#888888
Customer:	Dear Customer	25 Milky Way Jokeland, CA 94600 510-000-0000
Date: 12/06/12	Drafter: Gyuri K	Scale: Sheet 3 of 4

DISCLAIMER: If any Errors, Discrepancies or Omissions appear in these drawings, specifications or other contract documents; The Owner or General Contractor shall notify the Designer, in writing, of such error or omission. In the event that the Owner or General Contractor falls to give such notice, before construction and/or fabrication of the work, the Owner or General Contractor will be held responsible to the result of any errors, discrepancies or omissions and the cost of rectifying them.

NEC 690.5(c)
 PLACE THIS LABEL ON INVERTER(S) OR NEAR GROUND-FAULT INDICATOR (ON INVERTER(S) U.O.N.)

WARNING
 ELECTRIC SHOCK HAZARD
 IF A GROUND FAULT IS INDICATED,
 NORMALLY GROUNDED CONDUCTORS
 MAY BE UNGROUNDED AND
 ENERGIZED.

NEC 690.17
 PLACE THIS LABEL ON ALL DISCONNECTING MEANS WHERE ENERGIZED IN AN OPEN POSITION

WARNING
 ELECTRIC SHOCK HAZARD
 DO NOT TOUCH TERMINALS
 TERMINALS ON BOTH THE LINE AND LOAD SIDE
 MAY BE ENERGIZED IN THE OPEN POSITION

NEC 690.64(B)(7)
 PLACE THIS LABEL AT P.O.C. TO SERVICE DISTRIBUTION EQUIPMENT (I.E. MAIN PANEL (AND SUBPANEL IF APPLICABLE)) THIS LABEL IS ONLY NECESSARY WHEN BREAKERS FEEDING PANEL EXCEEDS 100% OF BUSS RATING

WARNING
 INVERTER OUTPUT CONNECTION
 DO NOT RELOCATE THIS
 OVERCURRENT DEVICE

DC DISCONNECT(S)

PHOTOVOLTAIC DC DISCONNECT

NEC 690.54
 PLACE THIS LABEL AT "INTERACTIVE POINT OF INTERCONNECTION" (AT MAIN SERVICE PANEL AND SUBPANEL IF APPLICABLE)

INTERACTIVE PHOTOVOLTAIC POWER SOURCE
 RATED AC OUTPUT CURRENT: 20.83A
 NOMINAL OPERATING AC VOLTAGE: 240V

ELECTRICAL PANEL

CAUTION
DUAL POWER SUPPLY

CAUTION
 SOLAR PV SYSTEM INSTALLED. WHEN POWER DISCONNECTED, SOLAR PANELS AND WIRING MAY REMAIN ENERGIZED DURING DAYLIGHT HOURS.

EXTERIOR / INTERIOR CONDUIT

CAUTION
 SOLAR PV WIRING MAY REMAIN ENERGIZED AFTER DISCONNECTION DURING DAYLIGHT HOURS.

INVERTER

PHOTOVOLTAIC INVERTER

AC DISCONNECT

PHOTOVOLTAIC AC DISCONNECT

NEC 690.53 & NEC 690.14(c)
 PLACE THIS LABEL ON ALL PHOTOVOLTAIC DC DISCONNECTING MEANS (ON INVERTER IF INTEGRATED DC DISCONNECTS AND AT A SEPARATE DC DISCONNECT IF APPLICABLE)

PHOTOVOLTAIC SYSTEM DISCONNECT:
 RATED MAXIMUM POWER POINT CURRENT (IMP): 15.6A
 RATED MAXIMUM POWER POINT VOLTAGE (VMP): 294V
 MAXIMUM SYSTEM VOLTAGE (VOC): 420V
 SHORT CIRCUIT CURRENT (ISC): 16.6A

ALL LABELS AND AND MARKINGS SHALL BE ATTACHED ACCORDING TO REQUIREMENTS BY NEC AND THE LOCAL AHJ. THE AHJ MAY HAVE SPECIAL LABEL REQUIREMENTS BEYOND THE SCOPE OF THIS DOCUMENT. THIS MAY ENCOMPASS LANGUAGE INCLUDING, BUT NOT LIMITED TO, THAT FOUND IN NEC ARTICLES 690.5(C), 690.14(C)(2), 690.17, 690.53, 690.53(F), 690.54, 690.64(B)(7) AND 705.10.

SIGNAGE REQUIREMENTS FOR SOLAR PV SYSTEMS:
 TWO FORMS OF SIGNAGE ARE REQUIRED FOR SOLAR PV SYSTEMS. PERMANENTLY AFFIXED LABELS SHOULD HAVE REFLECTIVE RED BACKGROUND WITH WHITE LETTERING. PRINTED MATERIAL SHOULD RESIST FADING.

Labels			
Contractor:	Sun Solar	Jokeland, CA 94600 510-282-0840 CA Lic#888888	
Customer:	Dear Customer	25 Milky Way Jokeland, CA 94600 510-000-0000	
Date: 12/06/12	Drafter: Gyuri K	Scale:	Sheet 4 of 4

DISCLAIMER: If any Errors, Discrepancies or Omissions appear in these drawings, specifications or other contract documents; The Owner or General Contractor shall notify the Designer, in writing, of such error or omission. In the event that the Owner or General Contractor fails to give such notice, before construction and/or fabrication of the work, the Owner or General Contractor will be held responsible to the result of any errors, discrepancies or omissions and the cost of rectifying them.