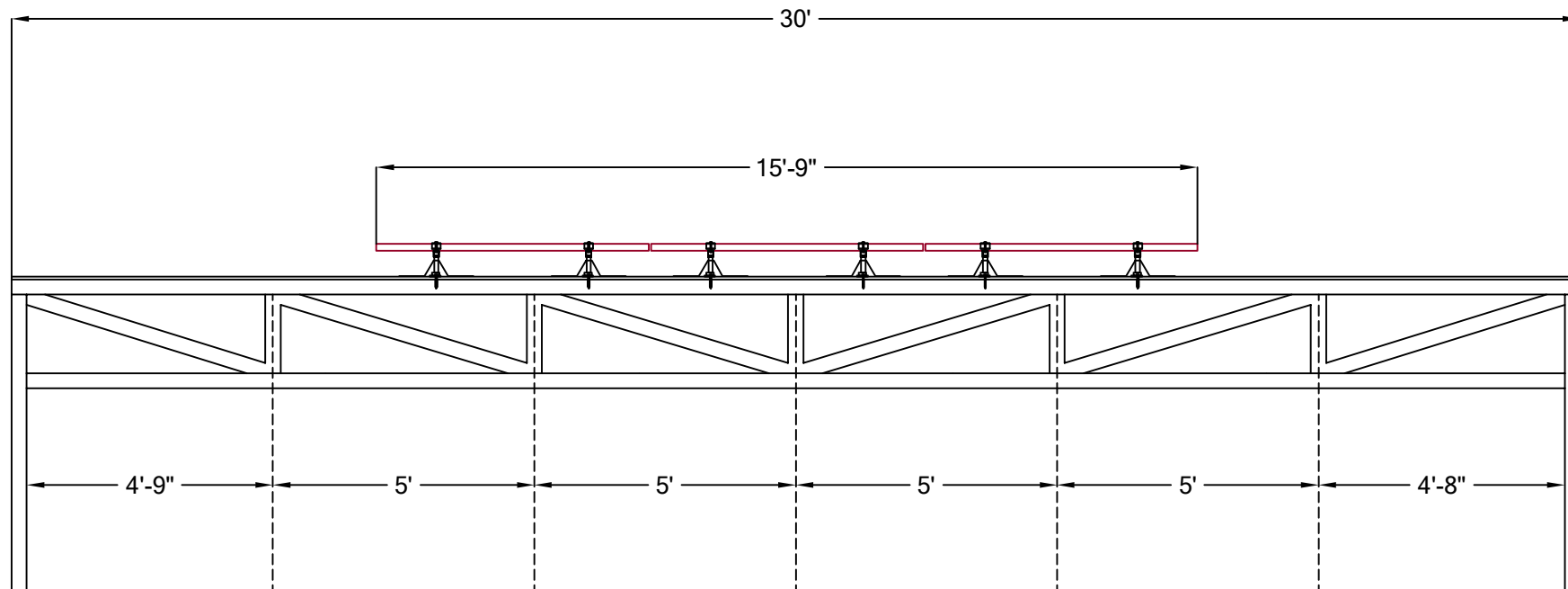
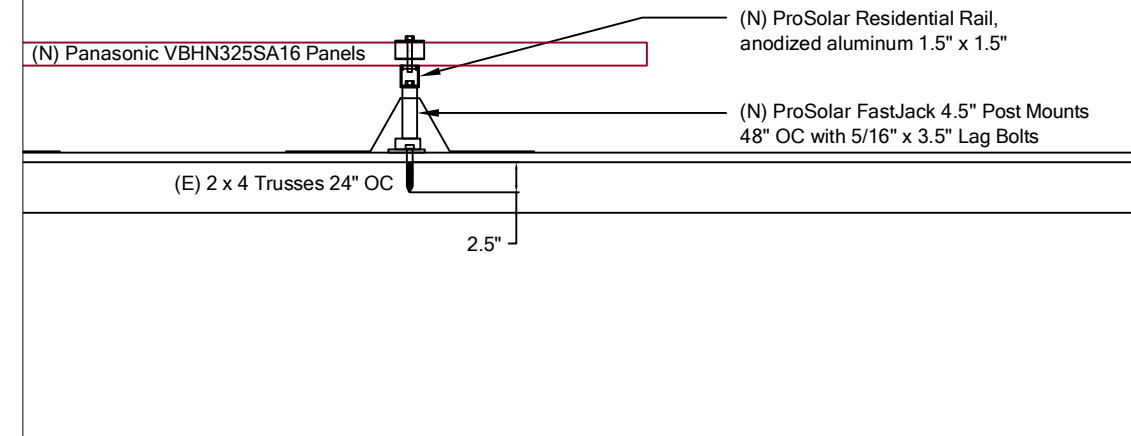


(N) Solar Array
 100 @ Panasonic VBHN325SA16 panels
 62.6" x 41.5" x 1.4"

(E) 2 x 4 Rafters @ 24" OC with 5/8" OSB Sheathing
 and Hot Mop Roof with Gravel Surface
 Roof Pitch: 1°



Roof Section Scale 3/8" = 1'



Attachment Detail Scale 1" = 1'

Legend:

(E) Existing
 (N) New

Approved by:

Structural Detail

Contractor:	Sun Solar	Jokeland, CA 94600 510-282-0840 CA Lic#888888
Customer:	Dear Customer	25 Milky Way Jokeland, CA 94600 510-000-0000
Drawing Number: 16-022	REV: #	Scale:
		Sheet 3 of 5

DISCLAIMER: If any Errors, Discrepancies or Omissions appear in these drawings, specifications or other contract documents; The Owner or General Contractor shall notify the Designer, in writing, of such error or omission. In the event that the Owner or General Contractor falls to give such notice, before construction and/or fabrication of the work, the Owner or General Contractor will be held responsible to the result of any errors, discrepancies or omissions and the cost of rectifying them.